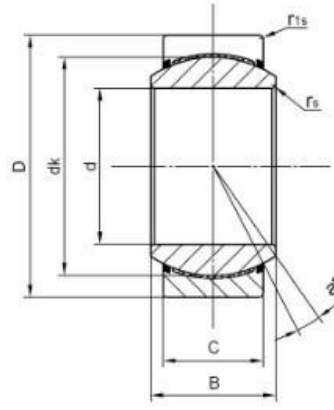


GE..ET-2RS Series



GE..ET-2RS

Bearing Designation	Dimensions(mm)							Load Rating(KN)		Weight ≈Kg
	d	D	B	c	dk	rs	r1s min	Dynamic Load	Static Load	
SSGE15ET-2RS	15	26	12	9	22	0.3	0.3	25	50	8
SSGE17ET-2RS	17	30	14	10	25	0.3	0.3	32	64	10
SSGE20ET-2RS	20	35	16	12	29	0.3	0.3	45	90	9
SSGE25ET-2RS	25	42	20	16	35.5	0.6	0.6	85	170	7
SSGE30ET-2RS	30	47	22	18	40.7	0.6	0.6	110	220	6
SSGE35ET-2RS	35	55	25	20	47	0.6	1	140	280	6
SSGE40ET-2RS	40	62	28	22	53	0.6	1	175	350	7
SSGE45ET-2RS	45	68	32	25	60	0.6	1	225	450	7
SSGE50ET-2RS	50	75	35	28	66	0.6	1	275	550	6
SSGE55ET-2RS	55	85	40	32	74	0.6	1	355	710	7
SSGE60ET-2RS	60	90	44	36	80	1	1	430	860	6
SSGE70ET-2RS	70	105	49	40	92	1	1	550	1100	6
SSGE80ET-2RS	80	120	55	45	105	1	1	705	1410	6
SSGE90ET-2RS	90	130	60	50	115	1	1	860	1720	5
SSGE100ET-2RS	100	150	70	55	130	1	1	1070	2140	7
SSGE110ET-2RS	110	160	70	55	140	1	1	1150	2300	6
SSGE120ET-2RS	120	180	85	70	160	1	1	1680	3360	6