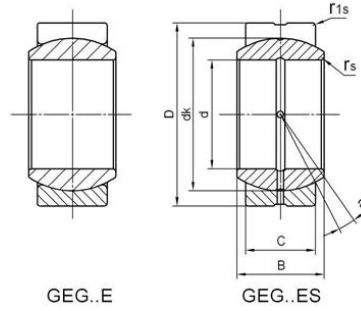


GEG..E Series



Bearing Designation	Dimensions(mm)							Load Rating(KN)		Weight ≈Kg
	d	D	B	c	dk	rs	r1s	min Dynamic Load	Static Load	
SSGEG4E	4	14	7	4	10	0.3	0.3	3.4	17	20
SSGEG5E	5	16	9	5	13	0.3	0.3	5.5	27	21
SSGEG6E	6	16	9	5	13	0.3	0.3	5.5	27	21
SSGEG8E	8	19	11	6	16	0.3	0.3	8.1	40	21
SSGEG10E	10	22	12	7	18	0.3	0.3	10	53	18
SSGEG12E	12	26	15	9	22	0.3	0.3	16	84	18